

esker [🍁] Hot Tents

Made in Canada

Your winter adventures await...



ARCTIC FOX		CLASSIC		CLASSIC 2		MULTI
9x9	10x10	10x10	12x12	10x10	12x12	10x10

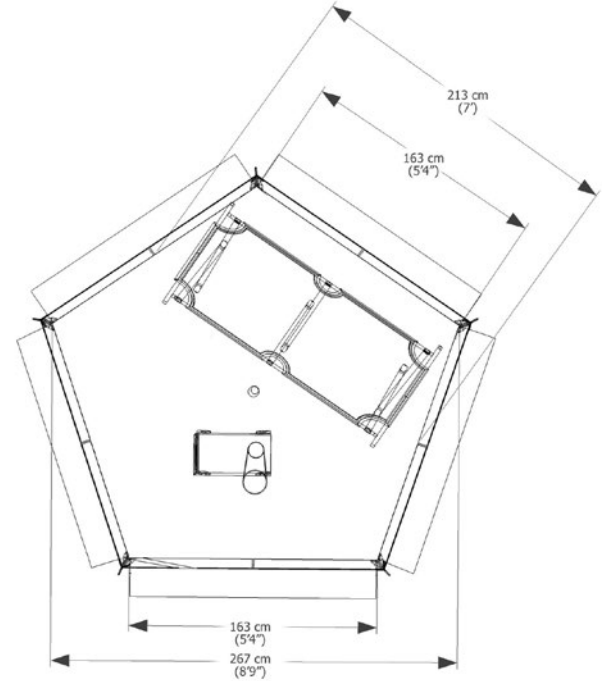


- 10.10 oz "army duck" 4 strand cotton canvas
- Fully compliant with all Canadian tent and fire safety regulations
- Double sewn and flat-felled seam construction
- Sewn loops in the panels to allow for the use of a drying line
- Flame retardant, water repellent, mould and mildew resistant
- Non stretching - provides excellent resistance to wear and tear
- 5 year limited warranty
- **Made in Canada**

The Esker Arctic Fox

Featuring a 5 sided tepee (central support) design, Esker Arctic Fox tents are equipped standard with an installed stove pipe ring (fits 3"-5" pipe) with a removeable velcro cover, adjustable air vent, a two way zippered opening, and installed internal loops for use of a drying line. Includes set up instructions, paracord guy-lines and carrying bag. No pole kit required when using wood from the environment.

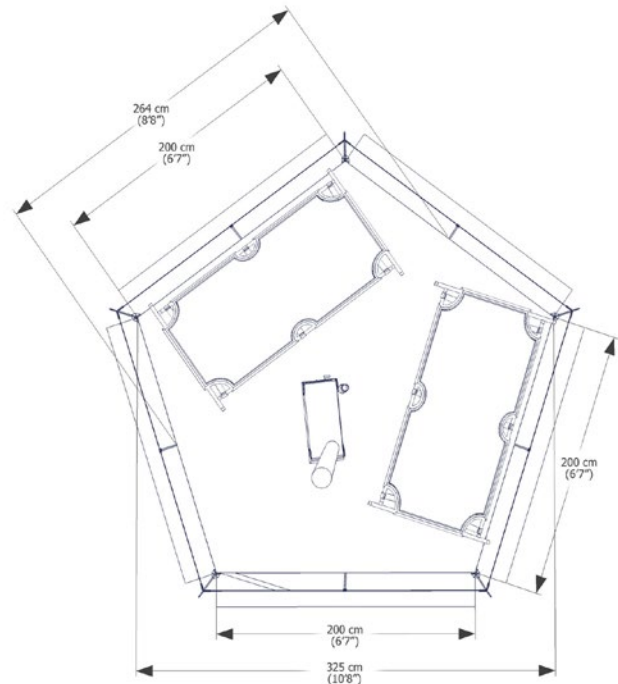
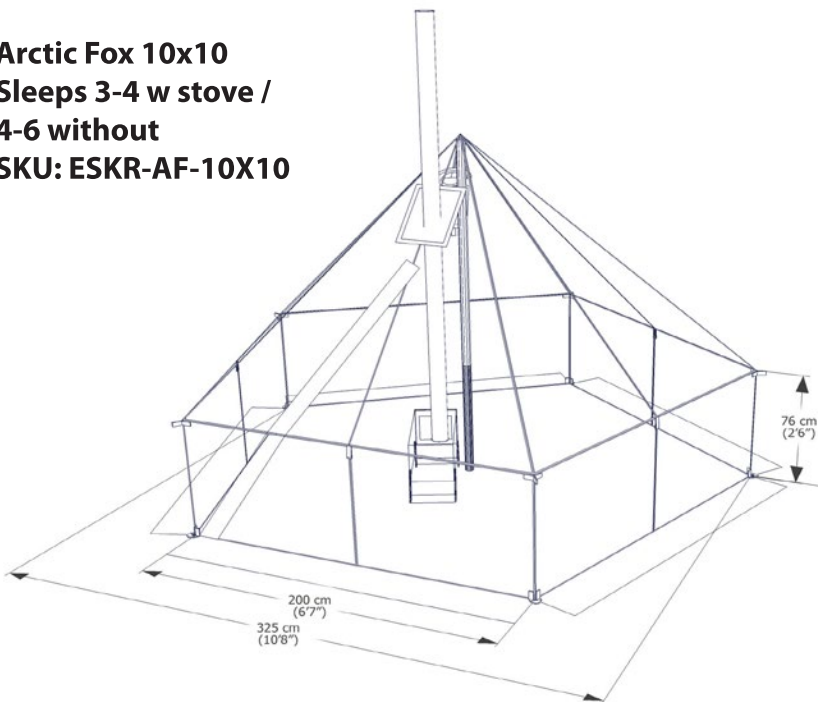
Arctic Fox 9x9
Sleeps 1-2
SKU: ESKR-AF-9X9



- Centre Peak: 2.25m (7'5")
- Sidewall Height: 0.45m (18")
- Overall Area (approx): 7.5 Sq M (9'x9')

- Weight: 6kg (13lbs)
- Packed Dimensions: 30cm x 22cm x 55cm (12" x 8.5" x 21.5")

Arctic Fox 10x10
Sleeps 3-4 w stove /
4-6 without
SKU: ESKR-AF-10X10



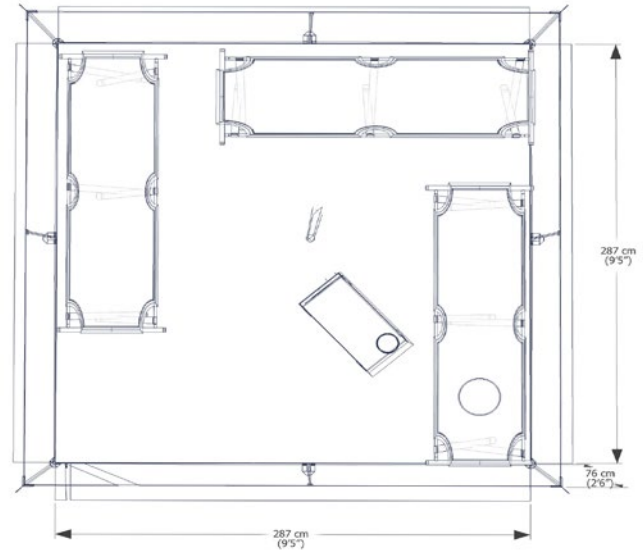
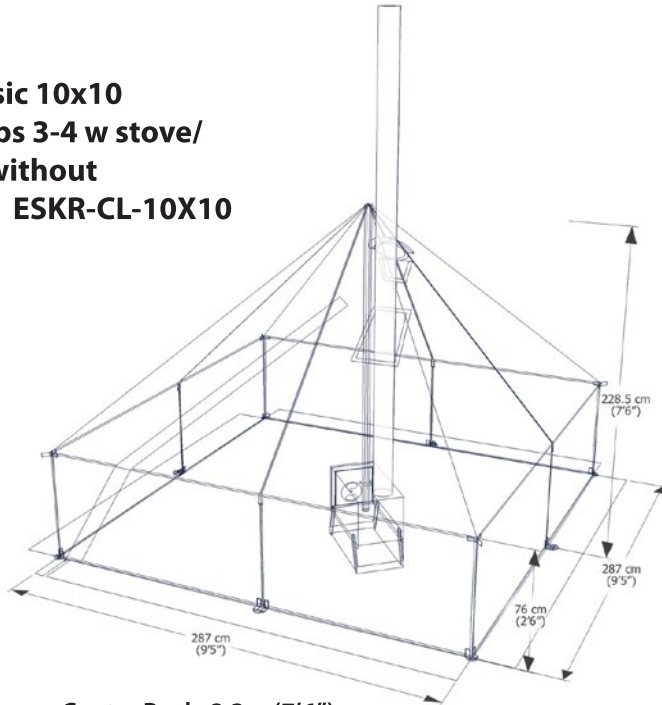
- Centre Peak: 2.3m (7'6")
- Sidewall Height: 0.76m (30")
- Overall Area (approx): 9.3 Sq M (10'x10')

- Weight: 8.5kg (19lbs)
- Packed Dimensions: 32cm x 26cm x 55cm (12.5" x 10" x 21.5")

The Esker Classic

Esker Classic tents are a 4 sided, centrally supported design that are equipped standard with an installed stove pipe ring (fits 3"-5" pipe) with a removeable velcro cover, an adjustable air vent, a two way zippered opening, and internal loops for use of a drying line. A 30" sidewall height provides maximum headroom. Includes set up instructions, paracord guy-lines and carrying bag. No pole kit required when using wood from the environment.

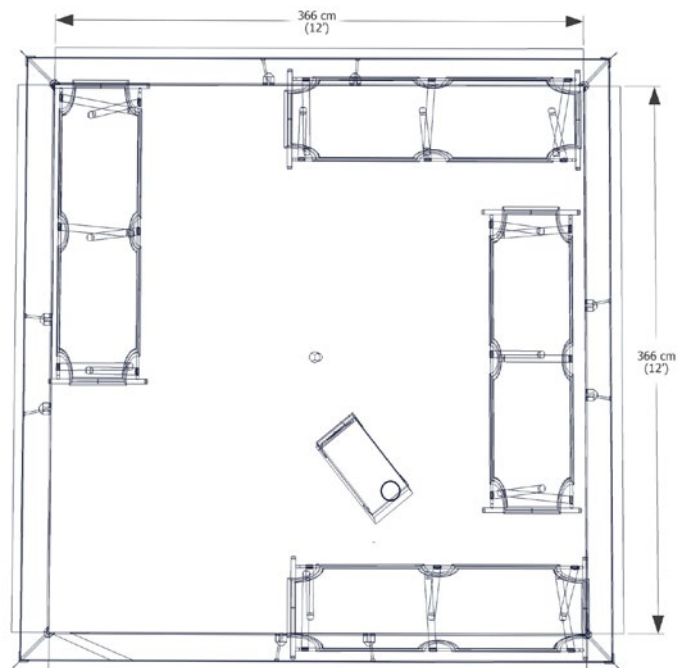
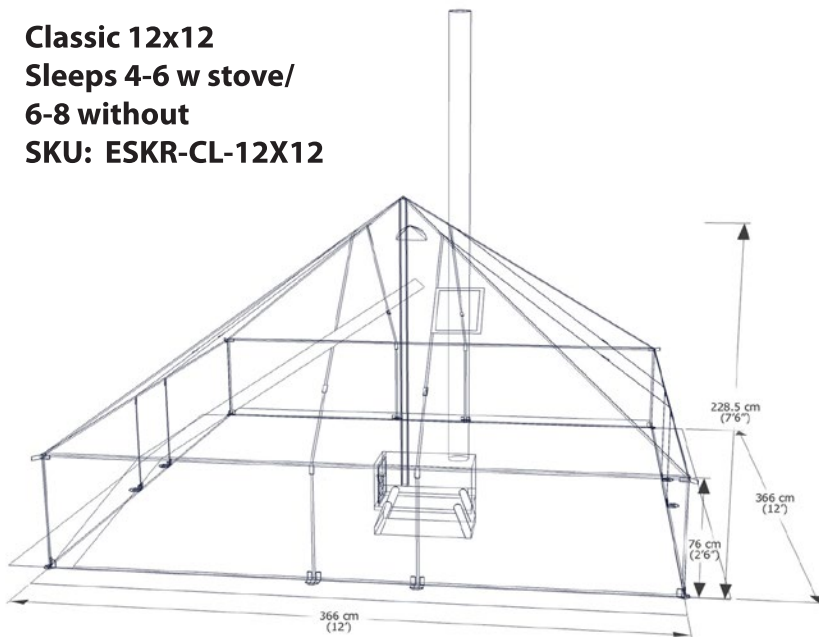
Classic 10x10
Sleeps 3-4 w stove/
4-6 without
SKU: ESKR-CL-10X10



- Centre Peak: 2.3m (7'6")
- Sidewall Height: 0.76m (30")
- Overall Area (approx): 9.65 Sq M (10'x10')

- Weight: 9.5kg (21lbs)
- Packed Dimensions: 32cm x 26cm x 55cm (12.5" x 10" 21.5")

Classic 12x12
Sleeps 4-6 w stove/
6-8 without
SKU: ESKR-CL-12X12

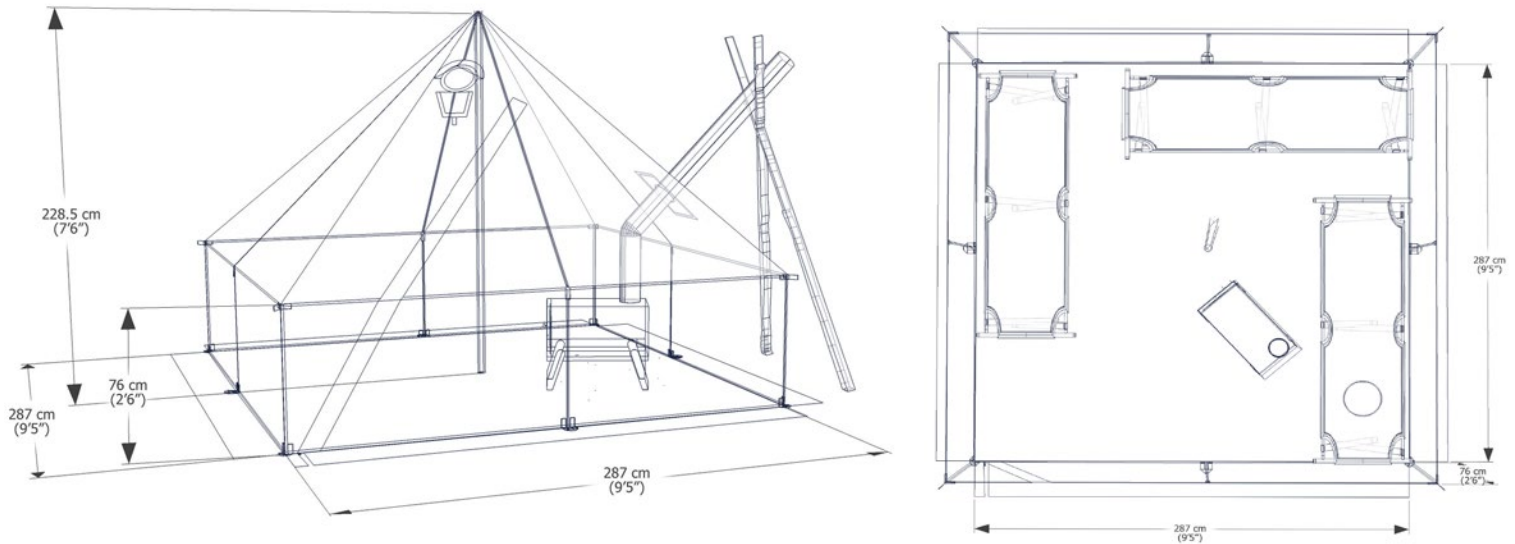


- Centre Peak: 2.3m (7'6")
- Sidewall Height: 0.76m (30")
- Overall Area (approx): 13.4 Sq M (12'x12')

- Weight: 13kg (29lbs)
- Packed Dimensions: 32cm x 28cm x 65cm (12.5" x 11" 25.5")

The Esker Classic 2

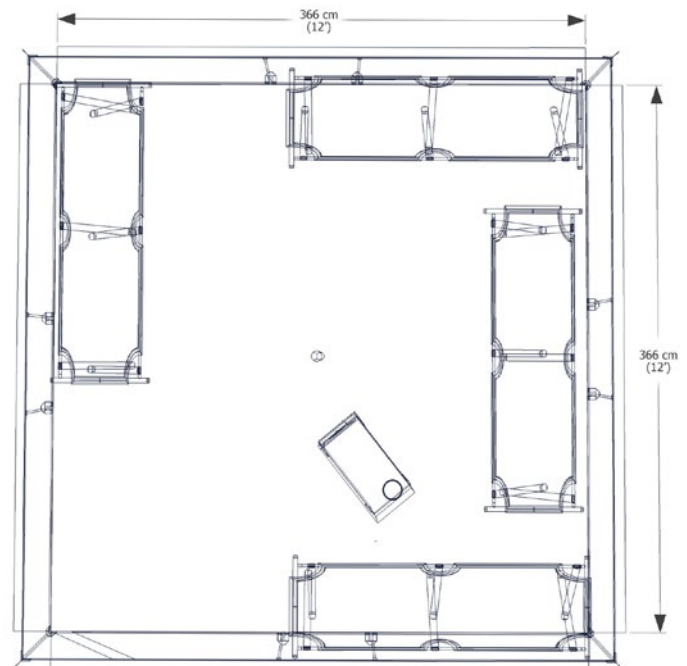
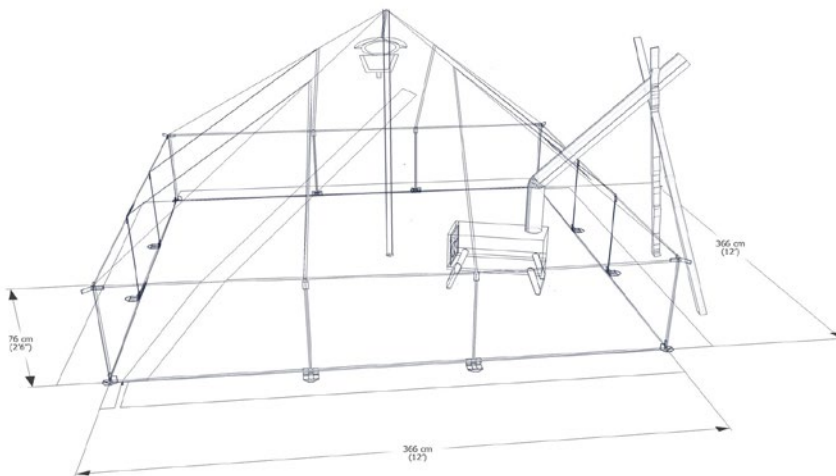
Identical to the Esker Classic, but with the tent's stove pipe ring moved to the right side wall, the Esker Classic 2, through the use of a stove with an elbow, allows for use of pipe stacks without a spark arrestor, and keeps creosote and embers away from the tent fabric.



Classic 2 10x10 Sleeps 3-4 w stove / 4-6 without. SKU: ESKR-CL-2-10X10

- Centre Peak: 2.3m (7'6")
- Sidewall Height: 0.76m (30")
- Overall Area (approx): 9.65 Sq M (10'x10')
- Weight: 9.5kg (21lbs)
- Packed Dimensions: 32cm x 26cm x 55cm (12.5" x 10" x 21.5")

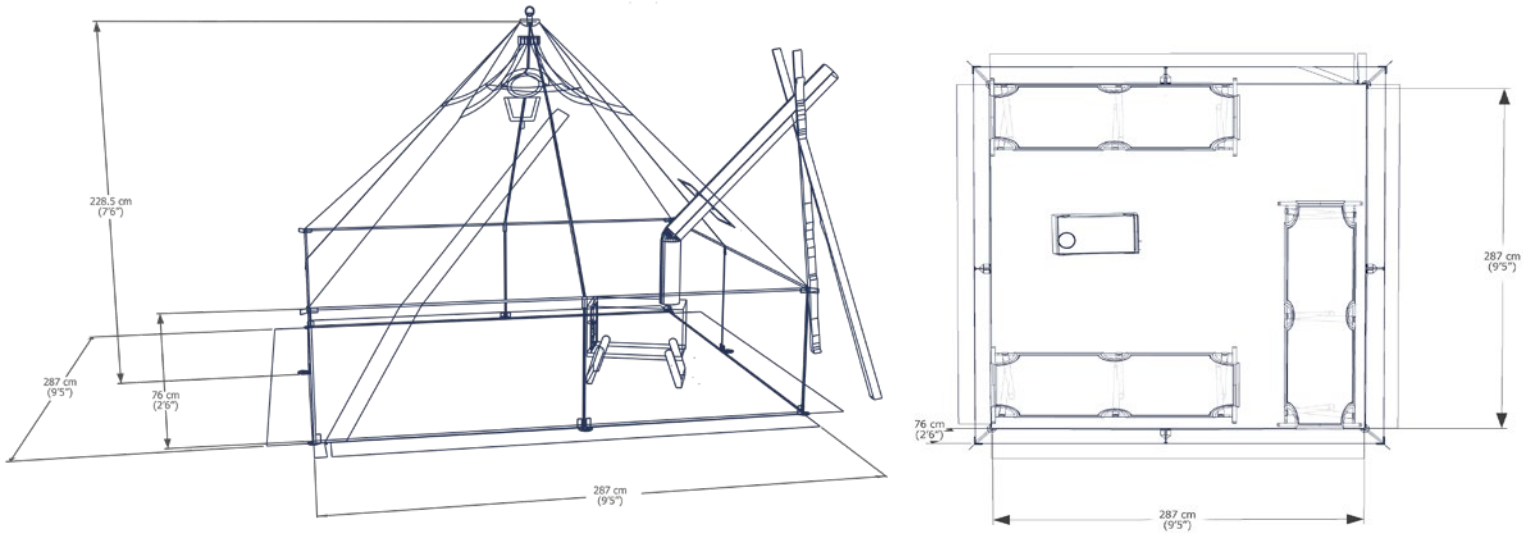
Classic 12x12 Sleeps 4-6 w stove / 6-8 without SKU: ESKR-CL-2-12X12



- Centre Peak: 2.3m (7'6")
- Sidewall Height: 0.76m (30")
- Overall Area (approx): 13.4 Sq M (12'x12')
- Weight: 13kg (29lbs)
- Packed Dimensions: 32cm x 28cm x 65cm (12.5" x 11" x 25.5")

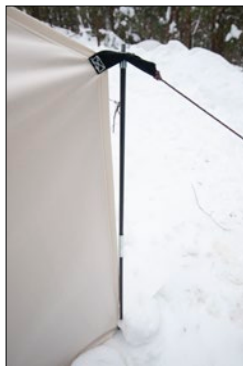
The Esker Multi 10x10 NEW

The Esker Multi is designed to be highly versatile, accommodating various methods for setting up and supporting in a wide variety of environments. An exterior stainless steel peak ring allows the tent to be hung from a line, as opposed to using a pole. A new adjustable interior harness support system allows for maximum flexibility with the use of interior central supports (poles, staves, branches), and newly included grommets on the tent side wall tie-outs allow for the use of optional sidewall poles (sold separately), or as receptacles for using sticks and branches - negating the need for sidewall tie-out stakes, and reducing the overall footprint of tent lines. As with all of the Esker's tents, the Multi comes standard with an installed stove pipe ring (fits 3" -5" pipe), an adjustable air vent, a two-way zippered opening and installed drying line loops.



Multi 10x10 Sleeps 3-4 w stove / 4-6 without. SKU: ESKR-MU-10X10

- Centre Peak: 2.3m (7'6")
- Sidewall Height: 0.76m (30")
- Overall Area (approx): 9.65 Sq M (10'x10')
- Weight: 10kg (22lbs)
- Packed Dimensions: 32cm x 26cm x 55cm (12.5" x 10" x 21.5")



Esker Multi 10x10 Side Poles NEW

Sold in either sets of 4 (minimal corners setup), or 8 (all tie-outs setup), Esker Multi 10x10 side poles make setting up the Esker Multi 10x10 quick and easy, and keeps the tent's footprint to a minimum, as lines can be secured directly into the ground from the tie-out loops.

SKUs: ESKR-MTSP-4, ESKR-MTSP-8



Esker Stainless Steel Side Tables NEW

Designed for use with Esker's portable wood stoves, these Canadian made stainless steel side tables extra rigidity and strength with a rust resistant surface, and include slots for attaching carabiners or lines for utensils, or for drying boots liners, socks, mitts, gloves, etc..

SKUs: ESKR-SSST-L, ESKR-SSST-S



Esker Leather Snowshoe Bindings NEW

Designed for use with traditional style snowshoes, these Canadian made full grain 9oz veg tanned buffalo leather snowshoe bindings provide a durable, weather resistant binding with easy and quick on/off capabilities that doesn't require the removal of mitts or gloves.

**SKUs: ESKR-TSBL
ESKR-TSBS**



Esker Stoves

Esker's 22 gauge cold rolled steel stoves are made in the USA, and are available in various sizes and configurations that are paired for use with Esker's Arctic Fox and Classic tents. All Esker stoves come standard with a damper, lengths of telescoping galvanized pipe, and Esker's snow float legs - which help to stabilize the stove on snow through the use of poles or branches.

Esker Erie

(For use with Esker Arctic Fox 9x9 Tent)

SKU: ESKR-EWTS



- Overall Packed Dimensions: 25.5cm x 25.5cm x 48cm (10" x 10" x 19")
- Stove Portion In Use (excluding pipes): 39cm (H) x 25.5cm (W) x 48cm (L) (15¼" x 10" x 19")
- Pipe Stack Height: 265cm (104")
- Total Height (approx): 3m (119")
- Burn Chamber Volume: 20.6L
- Burn Chamber Dimensions: 24cm x 20cm x 43cm (9½" x 8½" x 17")
- 10 cm (4") stove pipe hole
- Packed Weight: 7.8 kg
- Made with 22 gauge cold rolled steel

Esker Ontario

(For use with Esker Arctic Fox 10x10 & Classic 10x10 Tents)

SKU: ESKR-COWTS



- Overall Packed Dimensions: 25.5cm x 25.5cm x 58.5cm (10" x 10" x 23")
- Stove Portion In Use (excluding pipes): 40.5cm (H) x 25.5cm (W) x 58.5cm (L) (16" x 10" x 23")
- Pipe Stack Height: 265cm (104")
- Total Height (approx): 3m (120")
- Burn Chamber Volume: 25.7L
- Burn Chamber Dimensions: 24cm x 20cm x 53.5cm (9½" x 8½" x 21")
- 12.7 cm (5") stove pipe hole
- Packed Weight: 8.9 kg
- Made with 22 gauge cold rolled steel

Esker Ontario 2

(For use with Esker Classic 2 10 x10 Tent)

SKU: ESKR-C2OWTS



- Overall Packed Dimensions: 25.5cm x 25.5cm x 58.5cm (10" x 10" x 23")
- Stove Portion In Use (excluding pipes): 40.5cm (H) x 25.5cm (W) x 58.5cm (L) (16" x 10" x 23")
- Pipe Stack Height: 265cm (104")
- Total Height (approx): 3m (120")
- Burn Chamber Volume: 25.7L
- Burn Chamber Dimensions: 24cm x 20cm x 53.5cm (9½" x 8½" x 21")
- 12.7 cm (5") stove pipe hole
- Packed Weight: 8.9 kg
- Made with 22 gauge cold rolled steel

Esker Huron

(For use with Esker Arctic Fox 10x10 & Classic 10x10 Tents)

SKU: ESKR-CHWTS



- Overall Packed Dimensions: 30.5 x 30.5 x 46cm (12" x 12" x 18")
- Stove Portion In Use (excluding pipes): 51cm (H) x 30.5cm (W) x 46cm (L) (20" x 12" x 18")
- Pipe Stack Height: 265cm (104")
- Total Height (approx): 3.2m (124")
- Burn Chamber Volume: 34.5L
- Burn Chamber Dimensions: 29cm x 27cm x 44cm (11½" x 10½" x 17¼")
- 27 cm (5") stove pipe hole
- Packed Weight: 9.8 kg
- Made with 22 gauge cold rolled steel

Esker Huron 2

(For use with Esker Classic 2 10 x10 tent)

SKU: ESKR-C2HWTS



- Overall Packed Dimensions: 30.5 x 30.5 x 46cm (12" x 12" x 18")
- Stove Portion In Use (excluding pipes): 51cm (H) x 30.5cm (W) x 46cm (L) (20" x 12" x 18")
- Pipe Stack Height: 265cm (104")
- Total Height (approx): 3.2m (124")
- Burn Chamber Volume: 34.5L
- Burn Chamber Dimensions: 29cm x 27cm x 44cm (11½" x 10½" x 17¼")
- 27 cm (5") stove pipe hole
- Packed Weight: 9.8 kg
- Made with 22 gauge cold rolled steel

Esker Superior (For use with Esker Classic 12x12)
SKU: ESKR-CSWTS



- Overall Packed Dimensions: 30.5cm x 30.5cm x 61cm (12" x 12" x 24")
- Stove Portion In Use (excluding pipes): 51cm (H) x 30.5cm (W) x 61cm (L) (20" x 12" x 24")
- Pipe Stack Height: up to 264cm (104")
- Total Max Height (approx): 3.2m (124")
- Burn Chamber Volume: 43.1L
- Burn Chamber Dimensions: 28.5cm x 27cm x 56cm (11½" x 10½" x 22")
- 12.7 cm (5") stove pipe hole
- Packed Weight: 10.6 kg
- Made from 22 gauge cold rolled steel

Esker Superior 2 (For use with Esker Classic 2 12x12)
SKU: ESKR-C2SWTS



- Overall Packed Dimensions: 30.5cm x 30.5cm x 61cm (12" x 12" x 24")
- Stove Portion In Use (excluding pipes): 51cm (H) x 30.5cm (W) x 61cm (L) (20" x 12" x 24")
- Pipe Stack Height: 265cm (104")
- Total Height (approx): 3.2m (124")
- Burn Chamber Volume: 43.1L
- Burn Chamber Dimensions: 29cm x 27cm x 56cm (11½" x 10½" x 22")
- 12.7 cm (5") stove pipe hole
- Packed Weight: 10.6 kg
- Made from 22 gauge cold rolled steel

Stove Accessories

Esker False Bottoms

SKUs: ESKR-EFB, ESKR-OFB, ESKR-HFB, ESKR-SFB



A highly useful accessory for extending the life of the bottom of your stove and increasing the efficiency of the burn by creating an air gap between the wood and the stove bottom. False bottoms fit alongside the nested pipes inside the stove box for easy transport.

Sizes | Weights:

For Erie Stove: 42.6 cm x 22 cm x 2 cm | 1.2 kg
 For Ontario Stoves: 51.8 cm x 22 cm x 2 cm | 1.5 kg
 For Huron Stoves: 42 cm x 26.8 cm x 3.1 cm | 1.6 kg
 For Superior Stoves: 54.2 cm x 26.8 cm x 3.1 cm | 2 kg

Esker Side Tables

SKUs: ESKR-LST, ESKR-SST



Side tables provide extra space for hot pots and pans such that they can sit away from the direct heat of the stove but still stay warm through proximity to the stove top. Available in two sizes.

Sizes | Weights:

Side Table for Erie/Huron Stoves: 43 cm x 16 cm x 13 cm | 800g
 Side Table for Ontario/Superior Stoves: 52 cm x 17 cm x 12.5 cm | 1kg

Tent Accessories

While Esker tents can be set up using nothing but what the forest has to offer, Esker accessories provide quick and easy set up, support and maintenance of your Esker tent.

Esker Center Pole - Red SKU: ESKR-CP-01R



This sturdy, adjustable aluminum pole adjusts from 1.8 - 2.5 metres in height, and supports up to 250kg. It's quick click buttons and specially designed dome top and base pin provides quick set up and safe support for all sizes of Esker tents.

Size | Weight:
1.1m fully collapsed, 2.5m fully expanded | 1kg

Esker Center Pole Base SKU: ESKR-P-01



The perfect companion to the Esker Center pole, this base is made of lightweight aluminum and helps spread the weight of the pole and tent evenly on a snow pack without penetrating through. Bent edges anchor the base, and keep it and pole in position.

Size | Weight:
30.1 cm x 22.7 x 3.8 cm | 300g

Esker Canvas Tent Cleaner SKU: ESKR-CTC



Esker Tent Cleaner is a non-toxic, non-chlorinated cleaning solution that removes mildew, creosote and other stains on cotton canvas. Just add to water. Colour safe. Gentle on skin. One container makes 11 litres of cleaner. One litre of solution covers 3.5 square metres.

Weight: 340g

Replacement Parts

SKU	PART	
ESKR-800-00-309	5" Damper & Sleeve 10" Section (Ontario/Huron/Superior)	
ESKR-800-00-310	4" Damper & Sleeve 16" Section (Erie)	
ESKR-800-02-321	5" Damper (Ontario/Huron/Superior)	
ESKR-800-02-310	4" Damper (Erie)	
ESKR-800-01-309	5" Sleeve 10" Section (Ontario/Huron/Superior)	
ESKR-800-01-310	4" Sleeve 10" Section (Erie)	
ESKR-800-00-403	4" Spark Arrester (Ontario/Huron/Superior)	
ESKR-800-00-404	3" Spark Arrester (Erie)	
ESKR-800-01-301	5" Tapered Pipe - 20" Sections 4 Pieces (Ontario/Superior)	
ESKR-800-01-302	5" Tapered Pipe - 16" Sections 4 Pieces (Huron)	
ESKR-800-01-304	4" Tapered Pipe - 16" Section 4 Pieces (Erie)	
ESKR-800-00-501	5" Adjustable Elbow (Ontario/Huron/Superior)	
ESKR-800-00-502	4" Adjustable Elbow (Erie)	
ESKR-800-00-505	Reducer 5" - 4"	
ESKR-800-00-506	Reducer 4" - 3"	

Esker Replacement Stove Pipe Ring SKU: ESKR-RSPR



Esker's replacement stove pipe ring requires no sewing to install - simply velcro over existing ring, and cut old ring material out. Includes fire proof ring and cover.

Esker Canvas Patches Small | Medium | Large | X Large SKUs: ESKR-CAN-S,M,L,XL



Extra pieces of Esker's canvas available in 4 sizes for patches or repairing tents.

